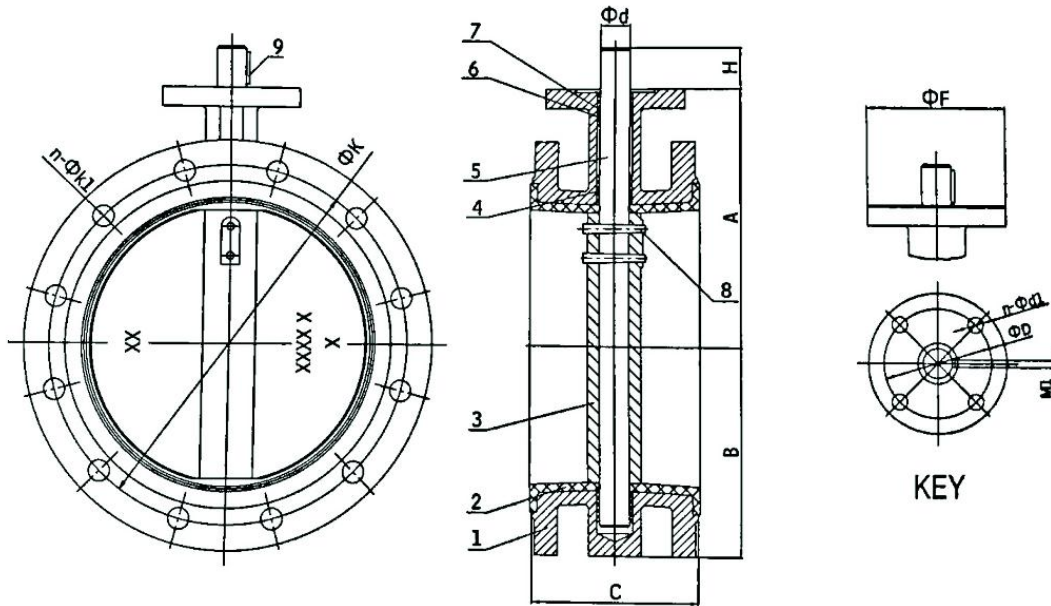




Double flange butterfly valve, bareshaft

Drawing:



Dimensions:

SIZE	A	B	C	F	ØD	n-Ød1	Ød	H	M1	Øk	n-Øk1
2" DN50	110	83	108	90	70	4-10	12.6	32	3	125	4-Ø19
2.5" DN65	134	93	112	90	70	4-10	12.6	32	3	145	4-Ø19
3" DN80	131	100	114	90	70	4-10	12.6	32	3	160	8-Ø19
4" DN100	150	114	127	90	70	4-10	15.77	32	5	180	8-Ø19
5" DN125	170	125	140	90	70	4-10	18.92	32	5	210	8-Ø19
6" DN150	180	143	140	90	70	4-10	18.92	32	5	240	8-Ø23
8" DN200	210	170	152	125	102	4-12	22.1	45	5	295	8-Ø23
10" DN250	246	198	165	125	102	4-12	28.45	45	8	350	12-Ø23
12" DN300	276	222.5	178	150	125	4-14	31.6	45	10	400	12-Ø23
14" DN350	328	254	190	150	125	4-14	31.6	45	10	460	16-Ø23
16" DN400	343	278	216	197	140	4-18	33.15	50	10	515	16-Ø28
18" DN450	407	320	222	197	140	4-18	37.95	50	10	565	20-Ø28
20" DN500	448	329	229	197	140	4-18	41.15	60	10	620	20-Ø28
24" DN600	518	384	267	210	165	4-22	50.62	70	16	725	20-Ø31
28" DN700	560	450	292	300	254	8-18	63.35	109	16	840	24-Ø31
32" DN800	620	501	318	300	254	8-18	63.35	119	22	950	24-Ø34
36" DN900	692	550	330	300	254	8-18	75	157	22	1050	28-Ø34
40" DN1000	735	622	410	300	254	8-18	85	207	22	1160	28-Ø37
48" DN1200	917	763	470	350	398	8-22	105	210	28	1380	32-Ø41

Other sizes on request.

