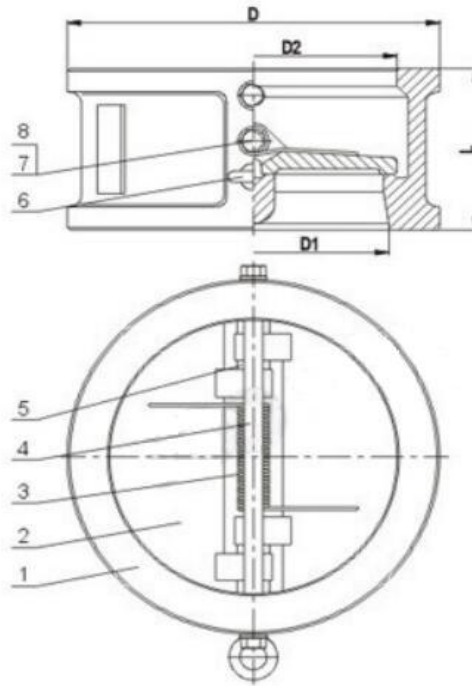




## Dual plate swing check valve

Drawing:



Dimensions:

SIZE	2"	2.5"	3"	4"	5"	6"	8"	10	12"	14"	16"	18"	20"	24"
L	60	67	73	73	86	98	127	146	181	184	191	203	219	222
D	103	122	135	175	195	220	277	337	407	448	512	547	604	715
D1	51	65	80	102	127	152	203	254	305	350	400	480	500	600
D2	56	73	88	108	132	160	210	266	310	355	405	455	505	605

Other sizes on request

