

Valve Standard

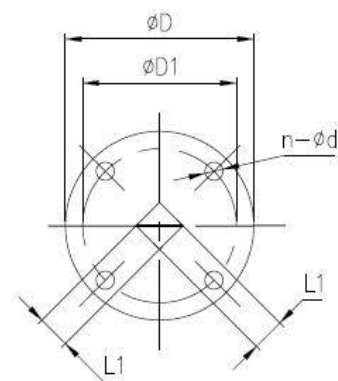
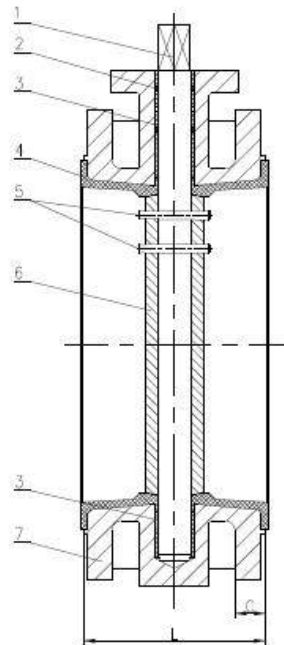
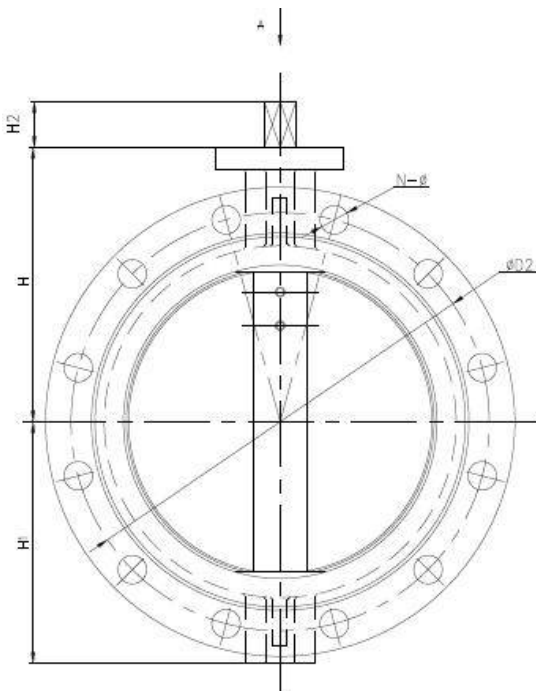
Comply with ISO 5752/BS 5155/BS EN593

Pressure Temperature Ratings

Working Pressure	16bar/25bar
Testing Pressure	Shell:24bar
	Seal:17.6bar
Working Temperature	-20°C to 110°C EPDM seat
	14F to 176F NBR seat
Suitable Media	Water, Oil & Gas

Material Specification

Part	Material	EN Spec
Body	Ductile Iron	EN-JS 1050
	Ductile Iron	EN-JS 1050
Disc	Bronze	EN 1982 CC491K
	Stainless Steel 304	BS970 304 C 15
	Stainless Steel 316	BS970 316 C 16
Shaft	Stainless Steel 410	BS970 410 S 21
	Stainless Steel 431	BS970 431 S 29
Seat	EPDM/NBR/VITON/P	
Ring	TFE	
O-Ring	EPDM/NBR	
Bushing	Bronze	EN 1982 CC491K



SIDE A

Dimensions

DN	mm	50	65	80	100	125	150	200	250	300	350	400	450	500
A		80	80	95	114	114	139	175	203	242	250	317	341	367
B		110	134	131	150	170	180	210	245	276	328	376	407	433
C		30	30	30	30	30	30	34	34	34	40	52	52	64
L		108	112	114	127	140	140	152	165	178	190	216	222	229