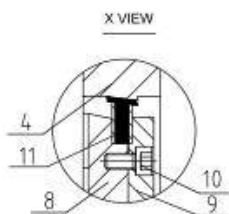
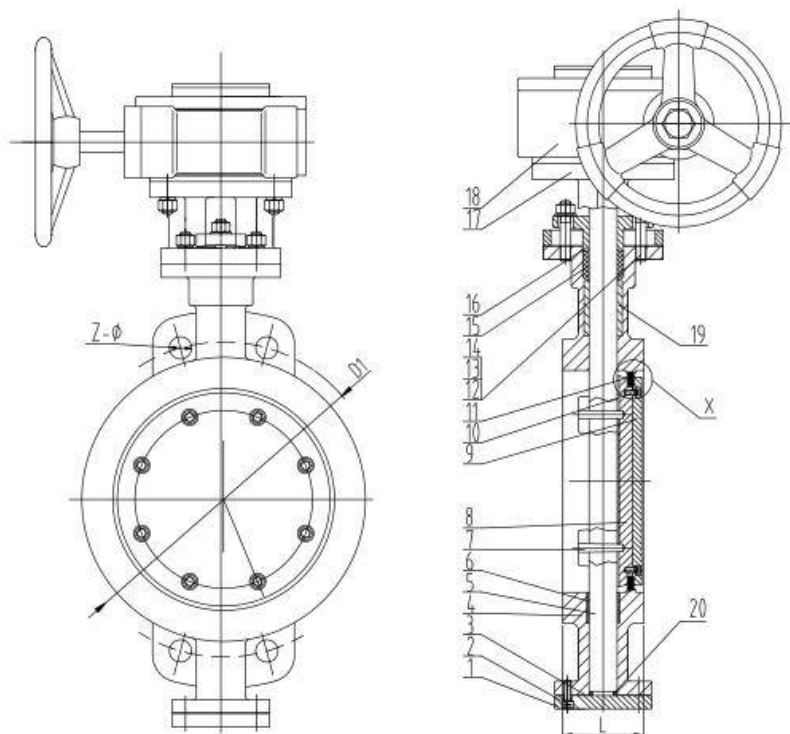


Class 150 Triple offset Butterfly Valve -Multi-layer D50-600-ASME B16.5



Technical Standard

Design & Manufacturing Standards: API609
 Temperature & Pressure Standards: ASME B16.34
 Inspection & Test: API598
 Flange Size: **ASME B16.5**

Design Pressure	150LB	
Shell test pressure	3.0	Mpa
Hydraulic water test	2.2	Mpa
Gas sealing test	0.6	Mpa
Suitable temperature	-20°C-350°C	
Suitable medium	Water, Oil, Steam	

Materials Specification

20	thrust pad	S5304
19	Bushing	SF-1
18	Gear box	QT450
17	York	A216WCB
16	Gland cover	A216WCB
15	Gland	Graphite
14	Gasket	S5304
13	Bolts	A193B7
12	Nuts	A1942H
11	Sealing ring	SS 304+Graphite
10	Inner hexagon bolt	A193B7
9	Disc cover	A105
8	Disc	A216WCB
7	Pins	S5304
6	Bushing	SF-1
5	Stem	2Cr13
4	Body	A216WCB
3	Gasket	304 composite gasket
2	Bolts	A193B7
1	Bottom cover	A105
Items	Nome	Material

Main Dimension

DN	50	65	80	100	125	150	200	250	300	350	400	450	500	600
L	43	46	48	54	56	57	64	71	81	92	102	114	127	154
D1	1207	1397	1524	1905	2159	2413	298.5	362	4318	476.3	539.8	5779	635	749.3
7-Φ	4-19	4-19	4-19	4-19	4-22	4-22	4-22	4-26	4-26	4-29	4-29	4-32	4-32	4-35

Triple offset Butterfly Valve metal to metal seated



对焊式
Butt weld type



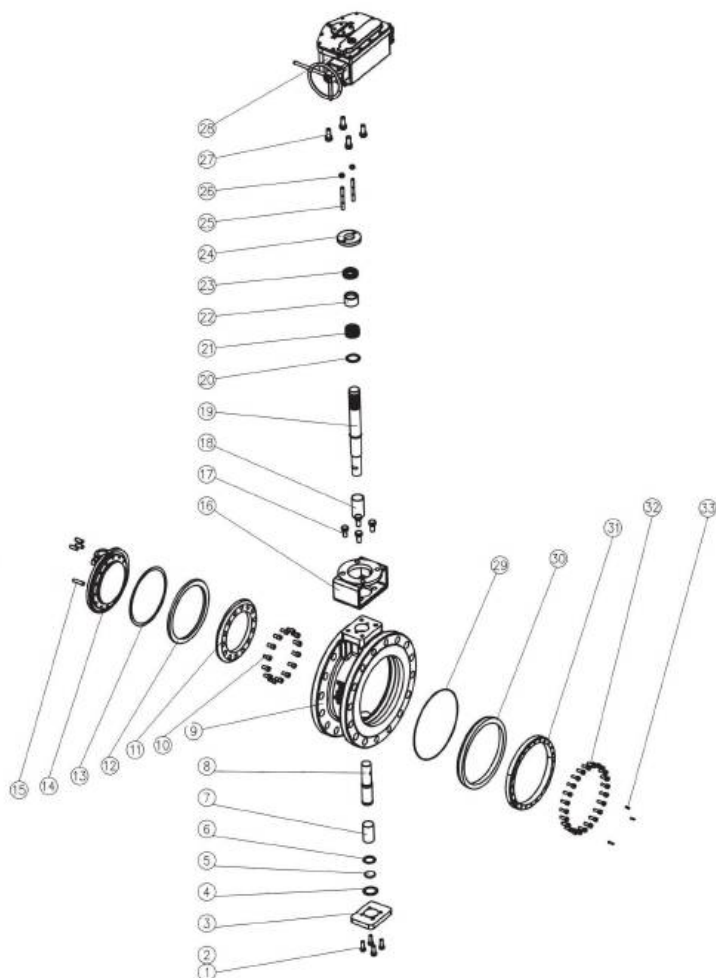
对夹式
Wafer type



双法兰式
Double flanged type

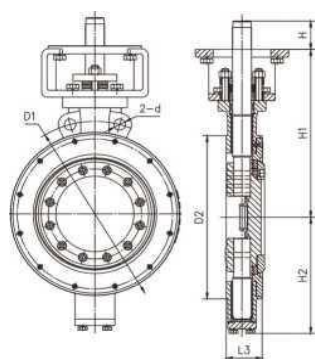


凸耳式
Lug type

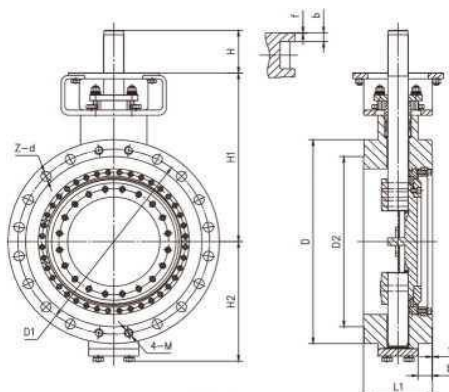


ITEM	Components	carbon steel	Stainless Steel
1	Hex Head	A193-B7	SS304
2	Washer	A29M5140	SS304
3	bottom Flange	A29M1025	SS316
4	Gasket	SS316 +graphite	SS316 +Graphite
5	Flange	A29M1025	SS316
6	Locking Ring	D-2	SS316
7	Sleeve	D-2+Ni	SS316
8	Shaft	A276 420	17-4PH
9	Body	WCB	CF8M
10	Caps crew	SS304	SS316
11	Disc Pressure Ring	A276 420	SS316
12	Seal Ring	F304/316L +STL	F304/316L +STL
13	Gasket	SS316 +Graphite	SS 316 +Graphite
14	Disc	WCB	CF8M
15	Pin	SS304	17-4PH
16	Yoke	WCB	WCB
17	Hex Head	A193-B7	SS304
18	Sleeve	D-2+Ni	SS316
19	Shaft	A276 420	17-4PH
20	Packing Ring	D-2	SS316
21	Packing	carbon fiber +graphite	carbon fiber +graphite
22	Packing Gland	A29M 1025	SS304
23	Butterfly Spring	Spring Steel	Spring Steel
24	Packing Plate	A29M 1025	SS304
25	Gland Stud	A193-B7	SS304
26	Gland Nut	A194-2H	SS304
27	Hex Head	A193-B7	SS304
28	Actuator	assemble part	assemble part
29	Gasket	SS 316 +Graphite	SS 316 +Graphite
30	Seat	A276 420	SS316
31	Connector Ring	A276 420	SS316
32	Caps crew	SS304	SS316
33	Grub Screw	SS304	SS316

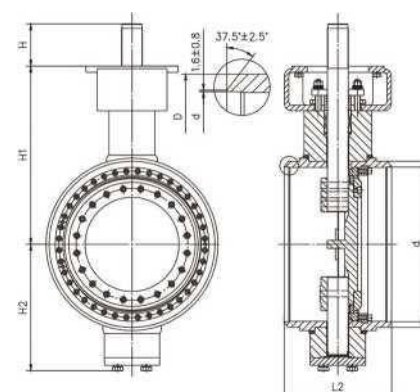
PN6 Triple offset Butterfly Valve -Metal to Metal seated



Wafer type



Double flange type

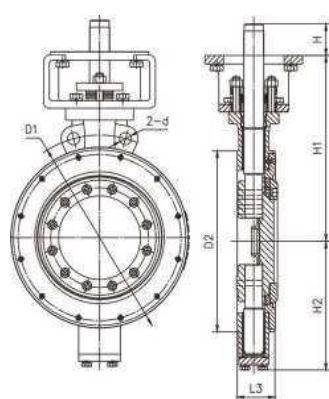


Butt weld type

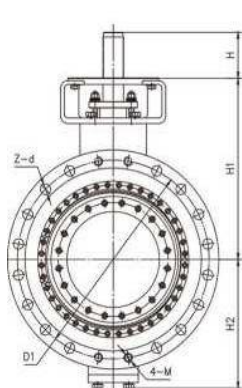
Main Dimension

Nominal diameter	L1	L2	L3	D	D1	D2	b	f	Z-Ød	M	N	d1	DN	H1	H2	H
DN(mm)	PN0.6Mpa															
DN50	108	150	43	140	110	90	16	2	4-Ø14	12	4	47	57	193	94	20
DN80	114	180	49	190	150	128	18	2	4-Ø18	16	4	78	90	221	118	25
DN100	127	190	56	210	170	148	18	2	4-Ø18	16	4	96	110	243	130	30
DN125	140	200	64	240	200	178	18	2	4-Ø18	16	8	121	135	261	153	35
DN150	140	210	70	265	225	202	20	2	4-Ø18	16	8	146	161	273	165	40
DN200	152	230	71	320	280	258	22	2	4-Ø18	16	8	202	222	309	198	45
DN250	165	250	76	375	335	312	24	2	8-Ø18	16	12	245	278	337	235	50
DN300	178	270	83	440	395	365	24	2	8-Ø22	20	12	303	330	382.5	274.5	67
DN350	190	290	92	490	445	415	24	2	8-Ø22	20	12	351	382	435	314	81
DN400	216	310	102	540	495	465	24	2	12-Ø22	20	16	398	432	457	344	87
DN450	222	330	114	595	550	520	24	2	12-Ø22	20	16	450	484	510	369	98
DN500	229	350	127	645	600	570	26	2	16-Ø22	20	20	501	535	579	410.5	105
DN600	267	390	154	755	705	670	26	2	16-Ø26	24	20	602	636	635	472.5	117
DN700	292	430	165	860	810	775	26	5	20-Ø26	24	24	692	726	671	529.5	117
DN800	318	470	190	975	920	880	26	5	20-Ø30	27	24	792	826	800	648	120
DN900	330	510	200	1075	1020	980	26	5	20-Ø30	27	24	892	926	862	708.2	128
DN1000	410	550	216	1175	1120	1080	26	5	24-Ø30	27	28	992	1028	955	766.2	170
DN1200	470	630	276	1405	1340	1295	28	5	28-Ø33	30	32	1192	1228	1088	884	182
DN1400	530	710	390	1630	1560	1510	32	5	32-Ø36	33	36	1392	1428	1188	1022	202
DN1600	600	790	440	1830	1760	1710	34	5	36-Ø36	33	40	1592	1628	1227	1095	245
DN1800	670	870	490	2045	1970	1920	36	5	40-Ø39	36	44	1792	1828	1300	1165	245
DN2000	760	950	540	2265	2180	2125	38	5	44-Ø42	39	48	1992	2028	1390	1280	245
DN2200	800	1000	590	2475	2390	2330	60	6	48-Ø48	42	52	2192	2228	1504	1320	245
DN2400	850	1100	650	2685	2600	2540	62	6	52-Ø48	42	56	2392	2428	1750	1425	245
DN2600	900	1200	700	2900	2810	2740	64	6	56-Ø54	48	60	2592	2628	1910	1540	245
DN2800	950	1300	760	3110	3020	2950	68	6	60-Ø54	48	64	2792	2828	2103	1640	245
DN3000	1000	1400	810	3310	3220	3150	70	6	64-Ø54	48	68	2992	3028	2234	1740	245

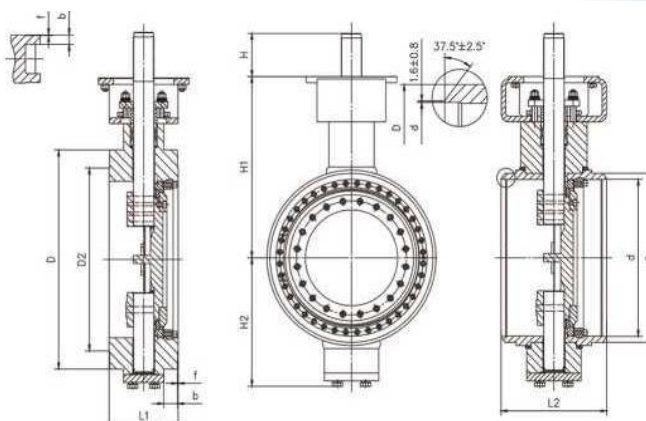
PN10 Triple offset Butterfly Valve --Metal to Metal seated



Wafer type



Double flange type

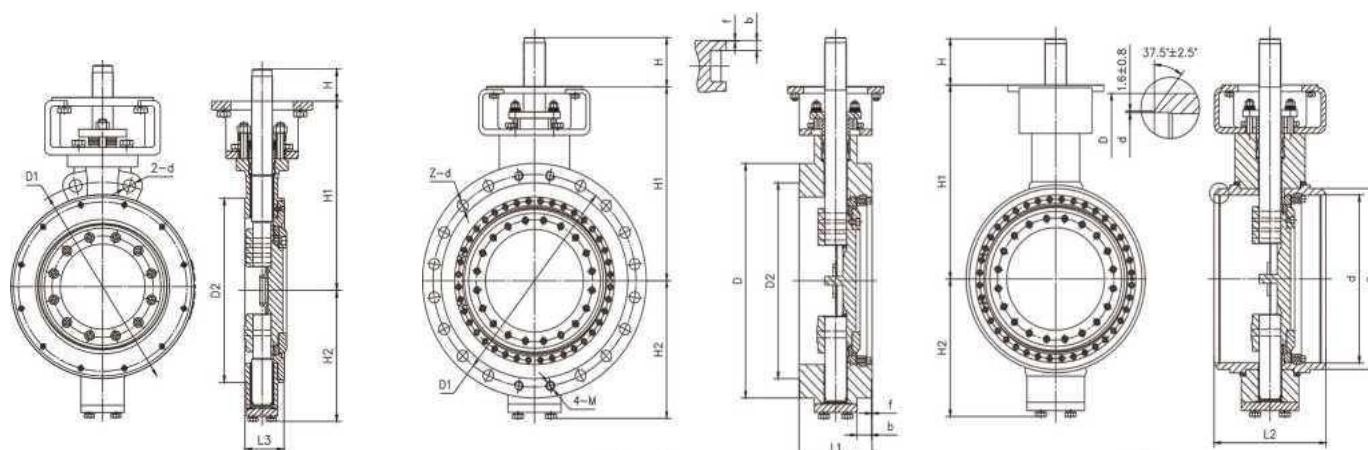


Butt weld type

Main Dimension

Nominal diameter	L1	L2	L3	D	D1	D2	b	f	Z-Ød	M	N	d1	DN	H1	H2	H
DN(mm)	PN1.0(MPa)															
DN50	108	150	43	165	125	102	20	2	4-Ø18	16	4	47	57	193	94	20
DN80	114	180	49	200	160	138	20	2	4-Ø18	16	8	78	90	221	118	25
DN100	127	190	56	220	180	158	22	2	4-Ø18	16	8	96	110	243	130	30
DN125	140	200	64	250	210	188	22	2	4-Ø18	16	8	121	135	261	153	35
DN150	140	210	70	285	240	212	24	2	4-Ø22	20	8	146	161	273	165	40
DN200	152	230	71	340	295	268	24	2	4-Ø22	20	8	202	222	309	198	45
DN250	165	250	76	395	350	320	26	2	8-Ø22	20	12	245	278	337	235	50
DN300	178	270	83	445	400	370	26	2	8-Ø22	20	12	303	330	382.5	274.5	67
DN350	190	290	92	505	460	430	26	2	12-Ø22	20	16	351	382	435	314	81
DN400	216	310	102	565	515	482.1	26	2	12-Ø26	24	16	398	432	457	344	87
DN450	222	330	114	615	565	532	28	2	16-Ø26	24	20	450	484	510	369	98
DN500	229	350	127	670	620	585	28	2	16-Ø26	24	20	501	535	579	410.5	105
DN600	267	390	154	780	725	685	34	2	16-Ø30	27	20	602	636	635	472.5	117
DN700	292	430	165	895	840	800.1	34	5	20-Ø30	27	24	692	726	671	529.5	117
DN800	318	470	190	1015	950	905	36	5	20-Ø33	30	24	792	826	800	648	120
DN900	330	510	200	1115	1050	1005	38	5	24-Ø33	30	28	892	926	862	708.2	128
DN1000	410	550	216	1230	1160	1110	38	5	24-Ø36	33	28	992	1028	955	766.2	170
DN1200	470	630	276	1455	1380	1330	44	5	28-Ø39	36	30	1192	1228	1088	884	182
DN1400	530	710	390	1675	1590	1535	48	5	32-Ø42	39	36	1392	1428	1188	1022	202
DN1600	600	790	440	1915	1820	1760	52	5	36-Ø48	45	40	1592	1628	1227	1095	245
DN1800	670	870	490	2115	2020	1960	56	5	40-Ø48	45	44	1792	1828	1300	1165	245
DN2000	760	950	540	2325	2230	2170	60	5	44-Ø48	45	48	1992	2028	1390	1280	245

PN16 Triple offset Wafer Butterfly Valve -Multi-layer D50-600-ASME B16.5



Wafer type

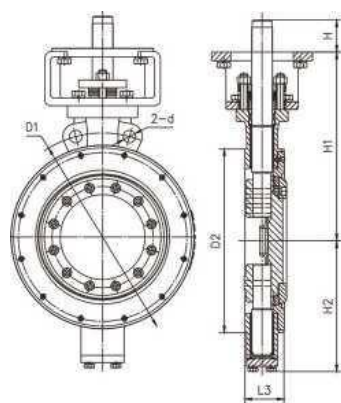
Double flange type

Butt weld type

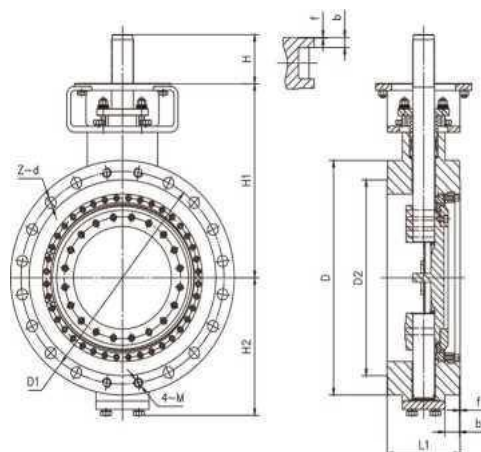
Main Dimension

Nominal diameter	L1	L2	L3	D	DI	D2	b	f	N	Z-Ød	M	d1	DN	H1	H2	H
DN(mm)	PN1.6(MPa)															
DN50	108	150	43	165	125	102	20	2	4	4-Ø18	16	47	57	193	94	20
DN80	114	180	49	200	160	138	20	2	8	4-Ø18	16	78	90	221	118	25
DN100	127	190	56	220	180	158	22	2	8	4-Ø18	16	96	110	243	130	30
DN125	140	200	64	250	210	188	22	2	8	4-Ø18	16	121	135	261	153	35
DN150	140	210	70	285	240	212	24	2	8	4-Ø22	20	146	161	273	165	40
DN200	152	230	71	340	295	268	24	2	12	8-Ø22	20	202	222	309	198	45
DN250	165	250	76	405	355	320	26	2	12	8-Ø26	24	245	278	337	235	50
DN300	178	270	83	460	410	378	28	2	12	8-Ø26	24	303	330	382.5	274.5	67
DN350	190	290	92	520	470	438	30	2	16	12-Ø26	24	351	382	435	314	81
DN400	216	310	102	580	525	490	32	2	16	12-Ø30	27	398	432	457	344	87
DN450	222	330	114	640	585	550	34	2	20	16-Ø30	27	450	484	510	369	98
DN500	229	350	127	715	650	610	36	2	20	16-Ø33	30	501	535	579	410.5	105
DN600	267	390	154	840	770	725	38	2	20	16-Ø36	33	602	636	635	472.5	117
DN700	292	430	165	910	840	795	40	5	24	20-Ø36	33	692	726	671	529.5	117
DN800	318	470	190	1025	950	900	42	5	24	20-Ø39	36	792	826	800	648	120
DN900	330	510	200	1125	1050	1000	44	5	28	24-Ø39	36	892	926	862	708.2	128
DN1000	410	550	216	1255	1170	1115	46	5	28	24-Ø42	39	992	1028	955	766.2	170
DN1200	470	630	276	1485	1390	1330	52	5	32	28-Ø48	45	1192	1228	1088	884	182
DN1400	530	710	390	1685	1590	1530	58	5	36	32-Ø48	45	1392	1428	1188	1022	202
DN1600	600	790	440	1930	1820	1750	64	5	40	36-Ø55	52	1592	1628	1227	1095	245
DN1800	670	870	490	2130	2020	1950	68	5	44	40-Ø55	52	1792	1828	1300	1165	245
DN2000	760	950	540	2345	2230	2150	70	5	48	44-Ø60	56	1992	2028	1390	1280	245

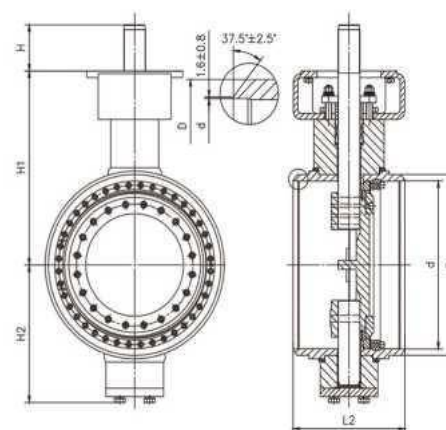
PN25 Triple offset Butterfly Valve -Metal to Metal seated



Wafer type



Double flange type

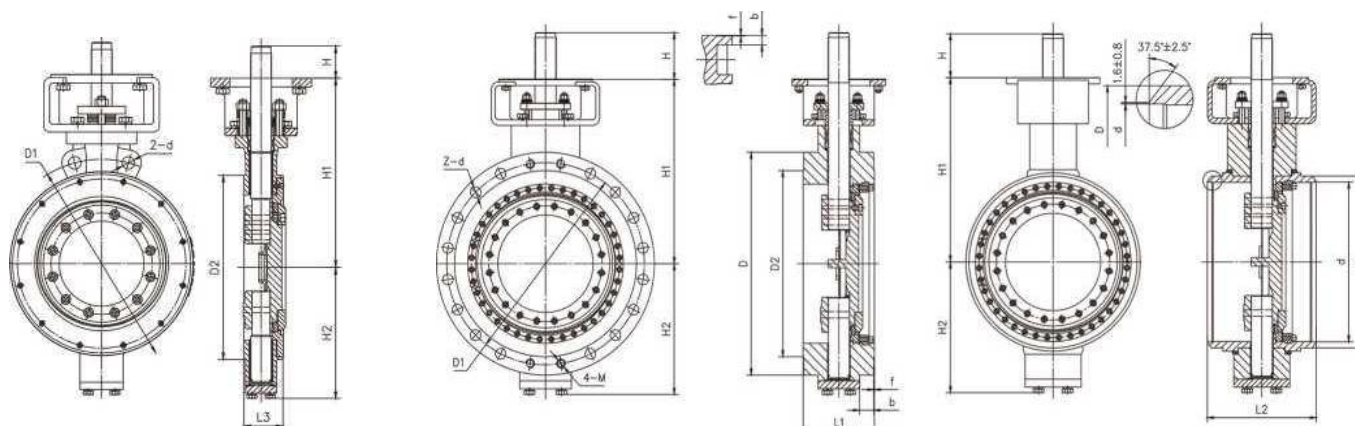


Butt weld type

Main Dimension

Nominal diameter	L1	L2	L3	D	d1	D2	b	f	N	Z-Ød	M	d1	DN	HI	H2	H
DN(mm)	PN2.5(MPa)															
DN50	108	150	43	165	125	102	20	2	4	4-Ø18	16	47	57	193	94	20
DN80	114	180	49	200	160	138	24	2	8	4-Ø18	16	78	90	221	118	25
DN100	127	190	56	235	190	162	24	2	8	4-Ø22	20	96	110	243	130	30
DN125	140	200	64	270	220	188	26	2	8	4-Ø26	24	121	135	261	153	35
DN150	140	210	70	300	250	218	28	2	8	4-Ø26	24	146	161	273	165	40
DN200	152	230	71	360	310	278	30	2	12	8-Ø26	24	202	222	309	198	45
DN250	165	250	76	425	370	335	32	2	12	8-Ø30	27	245	278	337	235	50
DN300	178	270	83	485	430	395	34	2	16	12-Ø30	27	303	330	382.5	274.5	67
DN350	190	290	92	555	490	450	38	2	16	12-Ø33	30	351	382	435	314	81
DN400	216	310	102	620	550	505	40	2	16	12-Ø36	33	398	432	457	344	87
DN450	222	330	114	670	600	555	46	2	20	16-Ø36	33	450	484	510	369	98
DN500	229	350	127	730	660	615	48	2	20	16-Ø36	33	501	535	579	410.5	105
DN600	267	390	154	845	770	720	58	2	20	16-Ø39	36	602	636	635	472.5	117
DN700	292	430	165	960	875	820	50	5	24	20-Ø42	39	692	726	671	529.5	117
DN800	318	470	190	1085	990	930	54	5	24	20-Ø48	45	792	826	800	648	120
DN900	330	510	200	1185	1090	1030	58	5	28	24-Ø48	45	892	926	862	708.2	128
DN1000	410	550	216	1320	1210	1140	62	5	28	24-Ø55	52	992	1028	955	766.2	170
DN1200	470	630	276	1530	1420	1350	70	5	32	28-Ø55	52	1192	1228	1088	884	182
DN1400	530	710	390	1755	1640	1560	76	5	36	32-Ø60	56	1392	1428	1171	985	245
DN1600	600	790	440	1975	1860	1780	84	5	40	36-Ø60	56	1592	1628	1237	1075	245
DN1800	670	870	490	2195	2070	1985	90	5	44	40-Ø68	64	1792	1828	1390	1190	245
DN2000	760	950	540	2425	2300	2210	96	5	48	44-Ø68	64	1992	2028	1515	1305	245

PN40 Triple offset Butterfly Valve -Metal to Metal seated



Wafer type

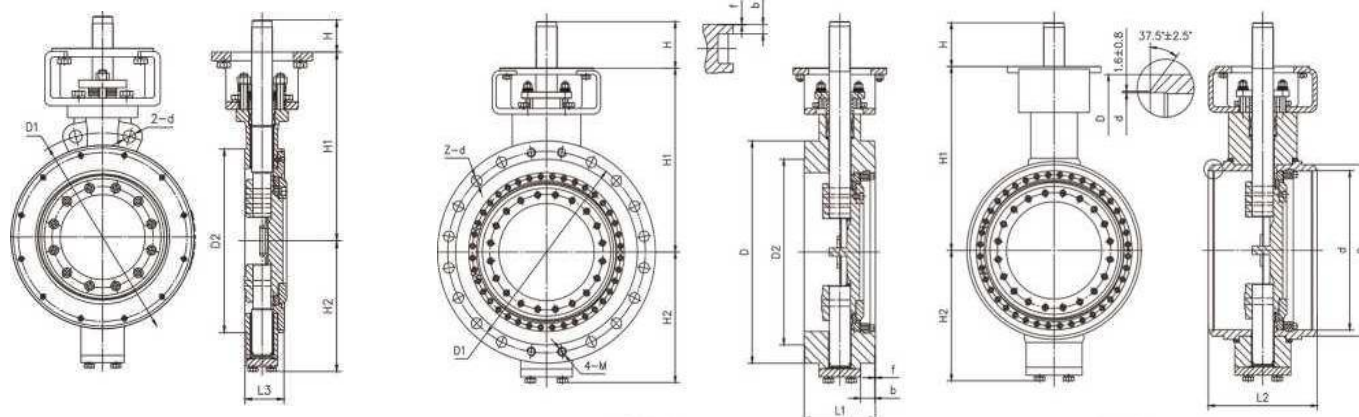
Double flange type

Butt weld type

Main Dimension

Nominal diameter	L1	L2	L3	D	DI	D2	b	f	N	Z-Ød	M	d1	DN	HI	H2	H
DN(mm)							PN4.0(MPa)									
DN80	150	150	43	165	125	102	20	2	4	4-Ø18	16	47	57	135	120	30
DN80	180	180	49	200	160	138	24	2	8	4-Ø18	16	78	90	165	135	34
DN100	190	190	56	235	190	162	24	2	8	4-Ø22	20	96	110	204	155	34
DN125	200	200	64	270	220	188	26	2	8	4-Ø26	24	120	135	230	175	34
DN150	210	210	70	300	250	218	28	2	8	4-Ø26	24	145	161	270	195	64
DN200	230	230	71	375	320	285	34	2	12	8-Ø30	27	200	222	304	235	64
DN250	250	250	76	450	385	345	38	2	12	8-Ø33	30	252	278	319	275	79
DN300	270	270	83	515	450	410	42	2	16	12-Ø33	30	301	330	409	310	79
DN350	290	290	127	580	510	465	46	2	16	12-Ø36	33	351	382	499	350	109
DN400	310	310	140	660	585	535	50	2	16	12-Ø39	36	398	432	515	400	109
DN450	330	330	160	685	610	560	57	2	20	16-Ø39	36	448	484	486	410	109
DN500	350	350	170	755	670	615	57	2	20	16-Ø42	39	495	535	531	455	129
DN600	390	390	200	890	795	735	72	2	20	16-Ø48	45	595	636	629	530	129

PN63 Triple offset Butterfly Valve -Metal to Metal seated



Wafer type

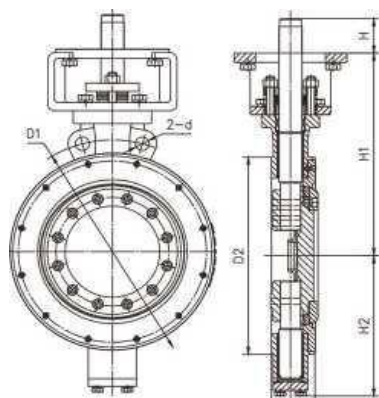
Double flange type

Butt weld type

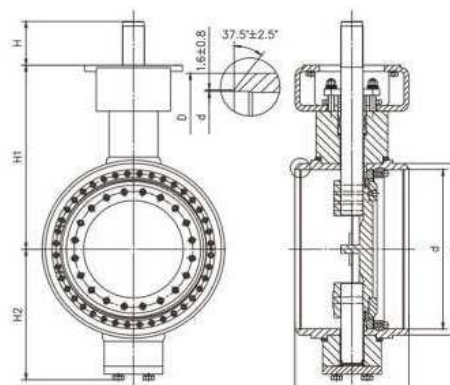
Main Dimension

Nominal diameter	L1	L2	L3	D	D1	D2	b	f	N	Z-Ød	M	d1	DN	H1	H2	H
DN(mm)							PN6.3(MPa)									
DN80	150	150	43	180	135	102	26	2	4	4-Ø22	20	47	57	135	120	30
DN80	180	180	64	215	170	138	28	2	8	4-Ø22	20	77	90	175	145	34
DN100	190	190	64	250	200	162	30	2	8	4-Ø26	24	94	110	214	165	34
DN125	200	200	70	295	240	188	34	2	8	4-Ø30	27	118	135	250	195	64
DN150	210	210	76	345	280	218	36	2	8	4-Ø33	30	142	161	300	225	64
DN200	230	230	89	415	345	285	42	2	12	8-Ø36	33	198	222	334	265	79
DN250	250	250	114	470	400	345	46	2	12	8-Ø36	33	246	278	339	295	79
DN300	270	270	114	530	460	410	52	2	16	12-Ø36	33	294	330	424	325	109
DN350	290	290	127	600	525	465	56	2	16	12-Ø39	36	342	382	414	365	109
DN400	310	310	140	670	585	535	60	2	16	12-Ø42	39	368	432	520	405	129
DN500	350	350	170	800	705	615	68	2	20	16-Ø48	45	485	535	556	480	129
DN600	390	390	200	930	820	735	76	2	20	16-Ø56	52	585	636	654	555	179

PN100 Triple offset Butterfly Valve -Metal to Metal seated



Wafer type

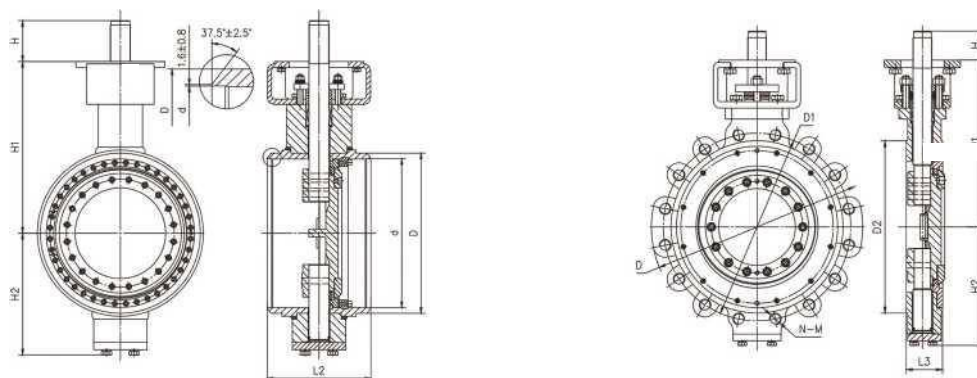


Butt weld type

Main Dimension

Nominal diameter	L1	L2	L3	D	D1	D2	b	f	N	Z-Ød	M	d1	DN	H1	H2	H
DN(mm)	PN10.0 (MPa)															
DN50	150	150	43	195	145	102	28	2	4	4-Ø26	24	47	57	175	125	40
DN80	180	180	64	230	180	138	32	2	8	4-Ø26	24	75	90	165	135	34
DN100	190	190	64	265	210	162	36	2	8	4-Ø30	27	92	110	194	145	34
DN125	200	200	70	315	250	188	40	2	8	4-Ø33	30	112	135	215	160	34
DN150	210	210	76	355	290	218	44	2	12	8-Ø33	30	136	161	255	180	34
DN200	230	230	89	430	360	285	52	2	12	8-Ø36	33	190	222	279	210	64
DN250	250	250	114	505	430	345	60	2	12	8-Ø39	36	236	278	294	240	64
DN300	270	270	114	585	500	410	68	2	16	12-Ø42	39	284	330	330	265	79
DN350	290	290	127	655	560	465	74	2	16	12-Ø48	45	332	382	370	295	79
DN400	310	310	140	715	620	535	82	2	16	12-Ø48	45	376	432	460	330	79
DN500	350	350	170	870	780	615	94	2	20	16-Ø56	52	475	535	496	385	109
DN600	390	390	200	990	875	735	102	2	20	16-Ø62	56	575	636	584	440	109

Class 150 Triple offset Butterfly Valve -Metal to Metal seated



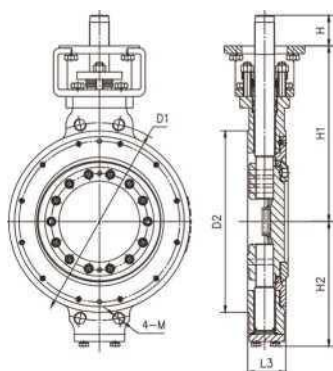
Butt weld type

Lug type

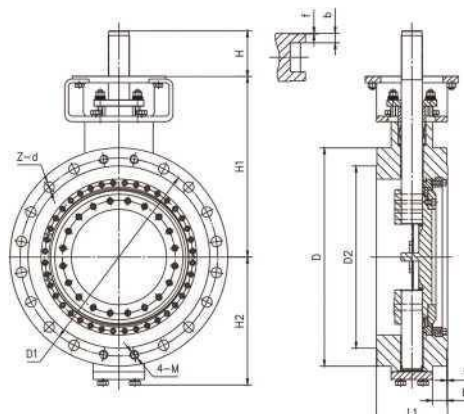
Main Dimension

Nominal diameter		L1	L2	L3	D	DI	D2	b(Min)	f	N	Z-Ød	M(in)	D1	DN	H1	H2	H
in	mm	150LB															
2"	DN50	108	150	43	150	120.7	92.1	17.5	2	4	4-Ø19	5/8-11UNC-2B	52.5	60.3	193	94	20
3"	DN80	114	180	48	190	152.4	127	22.3	2	4	4-Ø19	5/8-11UNC-2B	77.9	88.9	221	118	25
4"	DN100	127	190	54	230	190.5	157.2	22.3	2	8	4-Ø19	5/8-11UNC-2B	102.3	114.3	243	130	30
5"	DN125	140	200	56	255	215.9	185.7	22.3	2	8	4-Ø22	3/4-10UNC-2B	128.2	139.7	261	153	35
6"	DN150	140	210	57	280	241.3	215.9	23.9	2	8	4-Ø22	3/4-10UNC-2B	154.1	168.3	273	165	40
8"	DN200	152	230	64	345	298.5	269.9	27	2	8	4-Ø22	3/4-10UNC-2B	202.7	219.1	309	198	45
10"	DN250	165	250	71	405	362	323.8	28.6	2	12	8-Ø26	7/8-9UNC-2B	254.5	273	337	235	50
12"	DN300	178	270	81	485	431.8	381	30.2	2	12	8-Ø26	7/8-9UNC-2B	304.8	323.9	382.5	274.5	67
14"	DN350	190	290	92	535	476.3	412.8	33.4	2	12	8-Ø29	1-8UNC-2B	336.6	355.6	435	314	81
16"	DN400	216	310	102	595	539.8	469.9	35	2	16	12-Ø29	1-8UNC-2B	387.4	406.4	457	344	87
18"	DN450	222	330	114	635	577.9	533.4	38.1	2	16	12-Ø32	1-1/8-8UN-2B	434.9	457	510	369	98
20"	DN500	229	350	127	700	635	584.2	41.3	2	20	16-Ø32	1-1/8-8UN-2B	482.6	508	579	410.5	105
24"	DN600	267	390	154	815	749.3	692.2	46.1	2	20	16-Ø35	1-1/4-8UN-2B	581.1	610	635	472.5	117
28"	DN700	292	430	229	925	863.6	800	69.9	2	28	24-Ø35	1-1/4-8UN-2B	672.7	711.2	671	529.5	117
32"	DN800	318	470	241	1060	977.9	914	79.4	2	28	24-Ø42	1-1/2-8UN-2B	770.7	812.8	800	648	120
36"	DN900	330	510	241	1170	1085.8	1022	88.9	2	32	31-Ø42	1-1/2-8UN-2B	869.3	914.4	862	708.2	128
40"	DN1000	410	550	300	1290	1200.2	1124	88.9	2	36	32-Ø42	1-1/2-8UN-2B	967.3	1016	955	766.2	170
48"	DN1200	470	630	360	1510	1422.4	1359	106.4	2	44	40-Ø42	1-1/2-8UN-2B	1164	1219.2	1088	884	182

Class 300 Triple offset Butterfly Valve -Metal to Metal seated



Wafer type

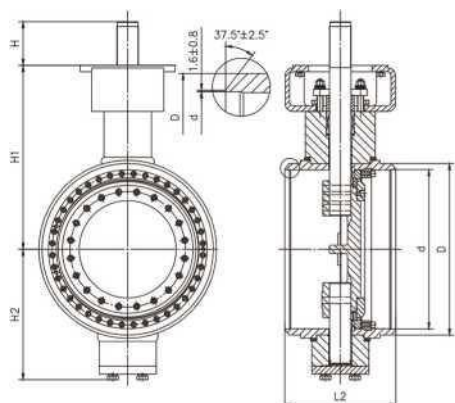


Double flange type

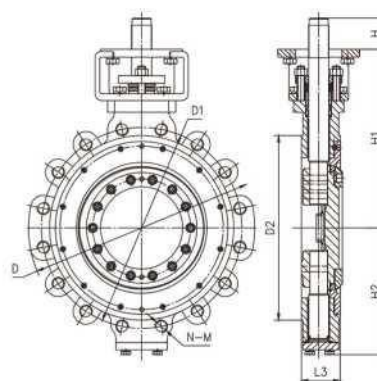
Main Dimension

Nominal diameter		L1	L2	L3	D	DI	D2	b(Min)	f	N	Z-Ød	M(in)	D1	DN	H1	H2	H
in	mm	300LB															
2"	DN50	150	150	43	165	127	92.1	20.7	2	8	4-Ø19	5/8-11UNC-2B	52.5	60.3	135	120	30
3"	DN80	180	180	48	210	168.3	127	27	2	8	4-Ø22	3/4-10UNC-2B	77.9	88.9	159	145	34
4"	DN100	190	190	54	255	200	157.2	30.2	2	8	4-Ø22	3/4-10UNC-2B	102.3	114.3	194	165	34
5"	DN125	200	200	56	280	235	185.7	33.4	2	8	4-Ø22	3/4-10UNC-2B	128.2	139.7	269	200	64
6"	DN150	210	210	59	320	269.9	215.9	35	2	12	8-Ø22	3/4-10UNC-2B	154.1	168.3	269	200	64
8"	DN200	230	230	73	380	330.2	269.9	39.7	2	12	8-Ø26	7/8-9UNC-2B	202.7	219.1	285	235	79
10"	DN250	250	250	83	445	387.4	323.8	46.1	2	16	12-Ø29	1-8UNC-2B	254.5	273	325	275	79
12"	DN300	270	270	92	520	450.8	381	49.3	2	16	12-Ø32	1-1/8-8UN-2B	304.8	323.9	387	315	79
14"	DN350	290	290	117	585	514.4	412.8	52.4	2	20	16-Ø32	1-1/8-8UN-2B	336.6	355.6	410	350	79
16"	DN400	310	310	133	650	571.5	469.9	55.6	2	20	16-Ø35	1-1/4-8UN-2B	387.4	406.4	465	385	109
18"	DN450	330	330	149	710	628.6	533.4	58.8	2	24	20-Ø35	1-1/4-8UN-2B	434.9	457	528	415	109
20"	DN500	350	350	159	775	685.8	584.2	62	2	24	20-Ø35	1-1/4-8UN-2B	482.6	508	561	450	129
24"	DN600	390	390	181	915	812.8	692.2	68.3	2	24	20-Ø42	1-1/2-8UN-2B	581.1	610	636	530	129
28"	DN700	430	430	229	1035	939.8	800	84.2	2	28	24-Ø45	1-5/8-8UN-2B	672.7	711.2	800	590	199
32"	DN800	470	470	241	1150	1054.1	914	96.9	2	28	24-Ø52	1-7/8-8UN-2B	770.7	812.8	860	720	199
36"	DN900	510	510	241	1270	1168.4	1022	103.2	2	32	28-Ø54	2-8UN-2B	869.3	914.4	940	780	199
40"	DN1000	550	550	300	1240	1155.7	1086	112.8	2	32	28-Ø45	1-5/8-8UN-2B	967.3	1016	910	750	199
48"	DN1200	630	630	360	1465	1371.6	1302	131.8	2	32	28-Ø52	1-7/8-8UN-2B	1164	1219.2	1000	850	249

Class 600 Triple offset Butterfly Valve -Metal to Metal seated



Butt weld type

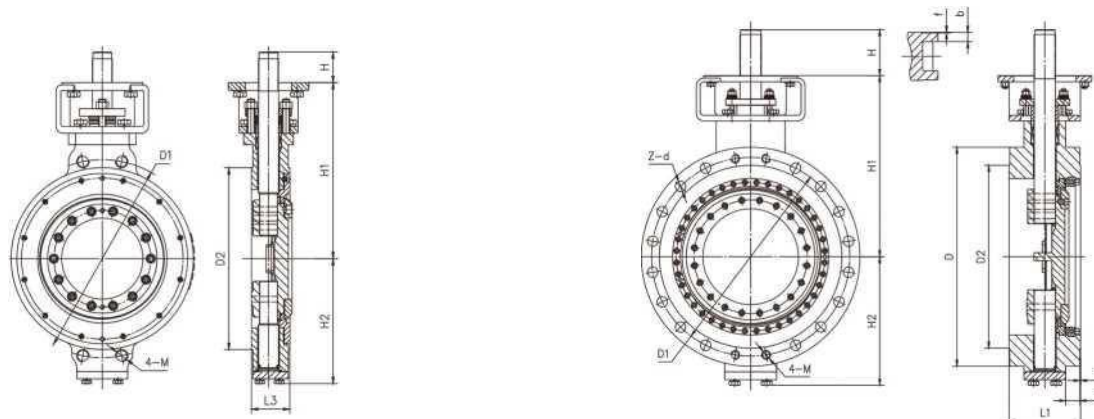


Lug type

Main Dimension

Nominal diameter		L1	L2	L3	D	DI	D2	b(Min)	f	N	Z-Ød	M(in)	d1	DN	HI	H2	H
in	mm	600LB															
2"	DN50	150	150	43	165	127	92.1	25.4	7	8	4-Ø19	5/8-11UNC-2B	52.5	60.3	175	125	40
3"	DN80	180	180	54	210	168.3	127	31.8	7	8	4-Ø22	3/4-10UNC-2B	77.9	88.9	202	145	44
4"	DN100	190	190	64	275	215.9	157.2	38.1	7	8	4-Ø26	7/8-9UNC-2B	102.3	114.3	208	180	44
5"	DN125	200	200	70	330	266.7	185.7	44.5	7	8	4-Ø29	1-8UNC-2B	128.2	139.7	235	210	79
6"	DN150	210	210	78	355	292.1	215.9	47.7	7	12	8-Ø29	1-8UNC-2B	154.1	168.3	302	225	79
8"	DN200	230	230	102	420	349.2	269.9	55.6	7	12	8-Ø32	1-1/8-8UN-2B	198.5	219.1	315	265	79
10"	DN250	250	250	117	510	431.8	323.8	63.5	7	16	12-Ø35	1-1/4-8UN-2B	247.7	273	376	310	79
12"	DN300	270	270	140	560	489	381	66.7	7	20	16-Ø35	1-1/4-8UN-2B	295.3	323.9	442	340	109
14"	DN350	290	290	155	605	527	412.8	69.9	7	20	16-Ø39	1-3/8-8UN-2B	325.4	355.6	457	365	109
16"	DN400	310	310	178	685	603.2	469.9	76.2	7	20	16-Ø42	1-1/2-8UN-2B	363.5	406.4	561	410	129
18"	DN450	330	330	200	745	654	533.4	82.6	7	20	16-Ø45	1-5/8-8UN-2B	409.5	457	610	450	129
20"	DN500	350	350	216	815	723.9	584.2	88.9	7	24	20-Ø45	1-5/8-8UN-2B	455.6	508	645	485	129
24"	DN600	390	390	232	940	838.2	692.2	101.6	7	24	20-Ø52	1-7/8-8UN-2B	547.7	610	730	555	178

Class 900 Triple offset Butterfly Valve -Metal to Metal seated



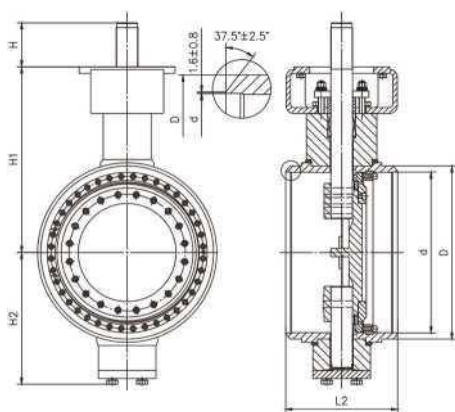
Wafer type

Double flange type

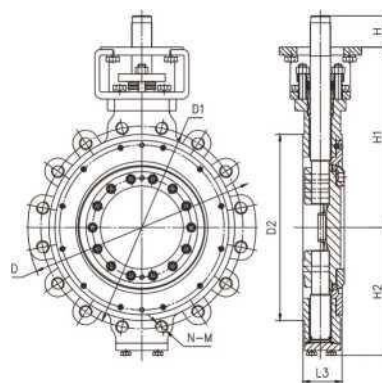
Main Dimension

Nominal diameter		L1	L2	L3	D	DI	D2	b(Min)	f	N	Z-Ød	M(in)	d1	DN	HI	H2	H
in	mm	900LB															
4"	DN100	235	235	80	290	235	157.2	44.5	7	8	4-Ø32	1-1/8-8UN-2B	77.9	88.9	240	181	64
6"	DN150	250	250	104	380	317.5	215.9	55.6	7	12	8-Ø32	1-1/8-8UN-2B	102.3	114.3	315	238	79
8"	DN200	310	310	112	470	393.7	269.9	63.5	7	12	8-Ø39	1-3/8-8UN-2B	128.2	139.7	360	281	79
10"	DN250	350	350	135	545	469.9	323.8	69.9	7	16	12-Ø39	1-3/8-8UN-2B	154.1	168.3	412	358	109
12"	DN300	380	380	170	610	533.4	381	79.4	7	20	16-Ø39	1-3/8-8UN-2B	198.5	219.1	475	383	109
14"	DN350	400	400	173	640	558.8	412.8	85.8	7	20	16-Ø42	1-1/2-8UN-2B	247.7	273	512	419	128
16"	DN400	430	430	210	705	616	469.9	88.9	7	20	16-Ø45	1-5/8-8UN-2B	295.3	323.9	610	455	129
18"	DN450	460	460	228	785	685.8	533.4	101.6	7	20	16-Ø52	1-7/8-8UN-2B	325.4	355.6	660	503	178
20"	DN500	490	490	250	855	749.3	584.2	108	7	20	16-Ø54	2-8UN-2B	363.5	406.4	685	550	178
24"	DN600	530	530	275	1040	901.7	692.2	139.7	7	20	16-Ø67	2-1/2-6UN-2B	409.5	457	790	656	199

Class 1500 Triple offset Butterfly Valve -Metal to Metal seated



Butt weld type



Lug type

Main Dimension

Nominal diameter		L1	L2	L3	D	d1	D2	b(Min)	f	N	Z-Ød	M(in)	d1	DN	HI	H2	H
in	mm	1500LB															
6"	DN150	290	290	160	395	317.5	215.9	82.6	7	12	8-Ø39	1-3/8-8UN-2B	102.3	114.3	347	257	109
8"	DN200	330	330	180	485	393.7	269.9	92.1	7	12	8-Ø45	1-5/8-8UN-2B	128.2	139.7	405	307	109
10"	DN250	390	390	200	585	482.6	323.8	108	7	12	8-Ø52	1-7/8-8UN-2B	154.1	168.3	510	371	129
12"	DN300	430	430	230	675	571.5	381	123.9	7	16	12-Ø54	2-8UN-2B	198.5	219.1	545	414	129
14"	DN350	470	470	250	750	635	412.8	133.4	7	16	12-Ø61	2-1/4-8UN-2B	247.7	273	610	493	178
16"	DN400	510	510	265	825	704.8	469.9	146.1	7	16	12-Ø67	2-1/2-6UN-2B	295.3	323.9	655	530	199
18"	DN450	550	550	300	915	774.7	533.4	162	7	16	12-Ø74	2-3/4-6UN-2B	325.4	355.6	750	591	199
20"	DN500	630	630	340	985	831.8	584.2	177.8	7	16	12-Ø80	3-6UN-2B	363.5	406.4	810	664	199
24"	DN600	710	710	400	1170	990.6	692.2	203.2	7	16	12-Ø94	3-1/2-6UN-2B	409.5	457	950	780	249