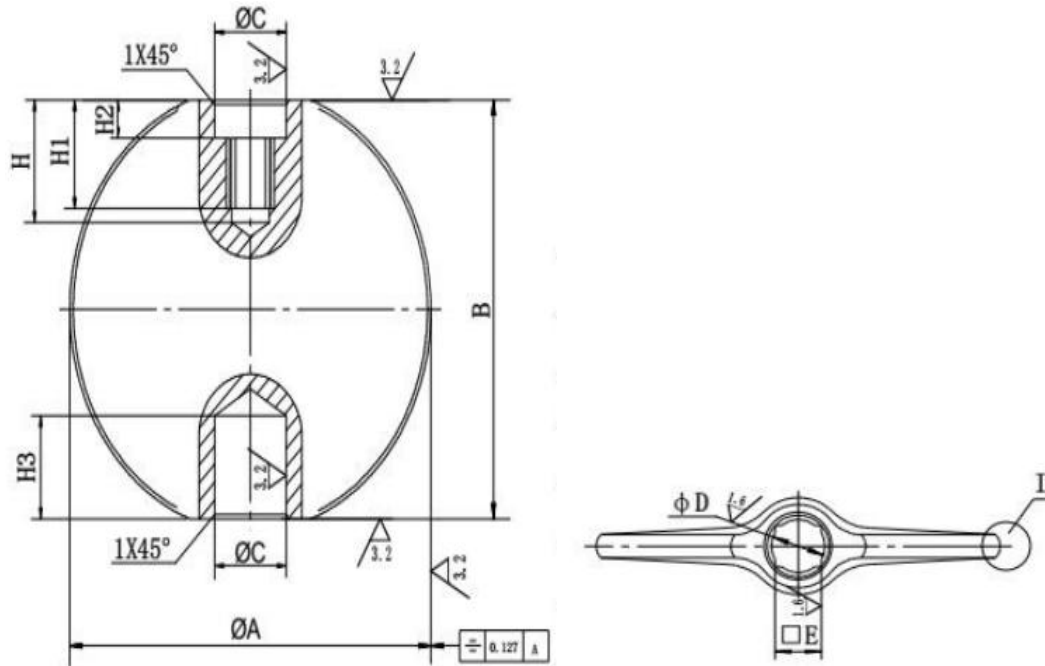




## Butterfly valve disc/plate

Drawing of double shaft butterfly valve disc:



Drawing of center-line butterfly valve disc:

